

# Truck Crane AK 52

As 3-axle or 4-axle chassis



## Technical Data

Permissible gross vehicle weight [t]	26 / 32
Max. payload [kg]	3,000 (opt. 6,000/12,000)
Max. extension length [m]	52 (opt. 55)
Working height up to jib [m]	38.0
Jib hydraulically extendable [m]	6.3 - 14.3 (opt. 17.3)
Jib payload [kg]	3,000 - 1,000 (500)
Boom angle [degrees]	85
Jib angle [degrees]	157
Pivoting range [degrees]	endless
Hook speed [m/min]	50
Range for crane operation at 500 kg [m]	40.0
Range for crane operation at 1 t [m]	34.0
Range for crane operation at 2 t [m]	24.0
Range for crane operation at 3 t [m]	18.5
Range for crane operation at 4 t [m]	13.0
Range for crane operation at 6 t [m]	10.0
Range for crane operation at 12 t [m]	5.0
Range / Working height max. [m] with rotating basket 350 kg (PK 350-D)	33.0 / 51.0
with rotating basket 600 kg (PK 600-D)	30.0 / 51.0
Range / Working height max. [m] with non-rotating basket 250 kg	37.5 / 53.0
Drive	PTO







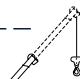
The Bocker AK 52 sets new standards in the class of 26 t trucks as 3-axle and in the 32 t class as 4-axle. Lifting 3 t to a sensational radius of 18,5 m with a height of 30 m it is most likely the strongest crane in an aluminium-steel design which is currently available on the market.

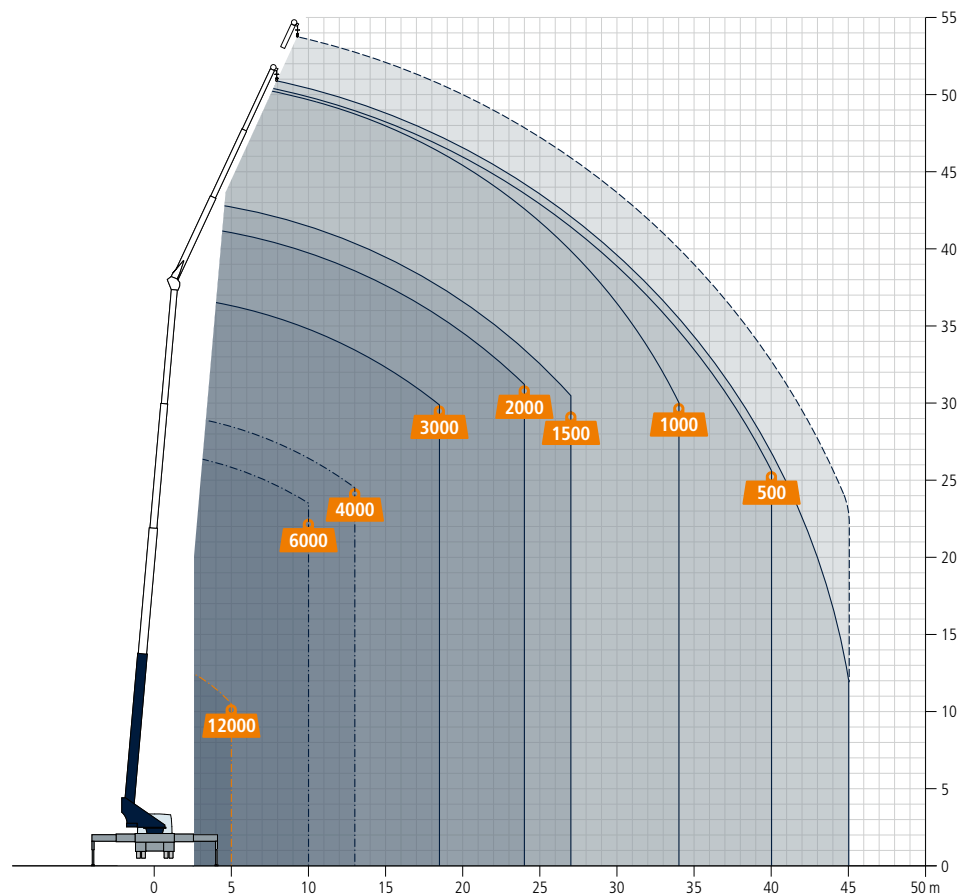
The AK 52 also reaches new heights when being used as a working platform. Its extendable cage with a width of 3.5 m it impresses with a load capacity of up to 600 kg. Thanks to its small slewing radius, its highly-modern closed hybrid-telescope boom and its fully-hydraulic, telescopic fly jib of 14 m it is perfect for your job site even when working in tight spaces!

Available with **Bocker**Connect

**Bocker**  
MY WAY TO THE TOP

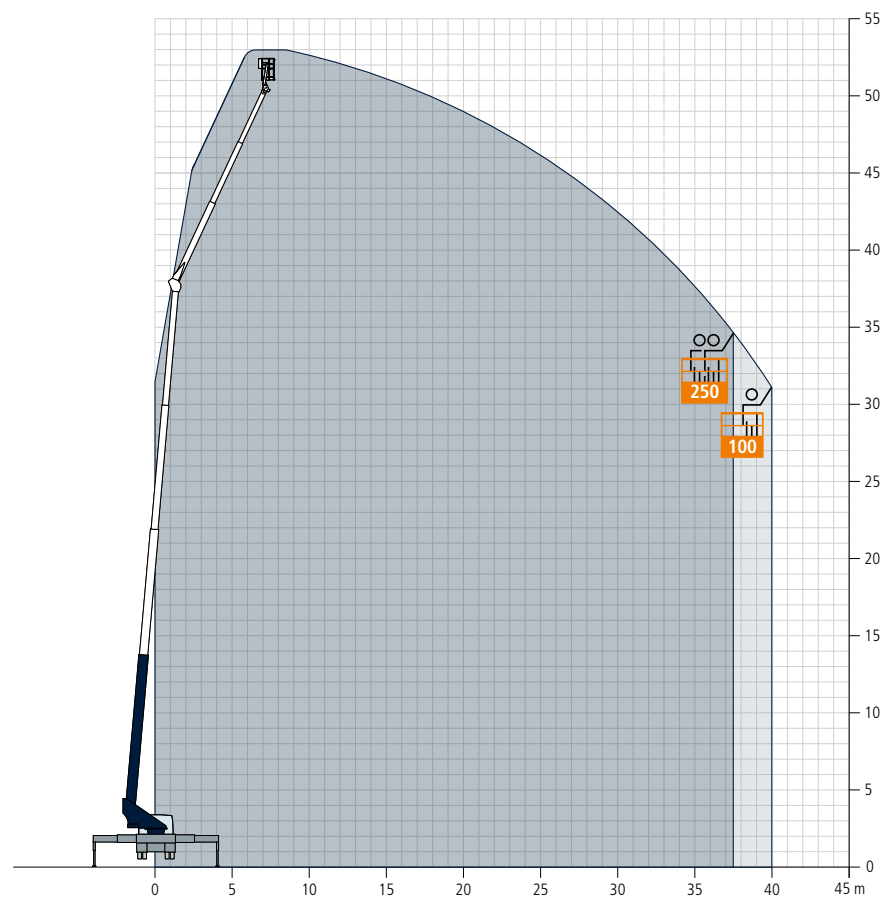
## Working range crane operation

-  Load in kg
-  Single-fall operation
-  Two-fall operation
-  Four-fall operation
-  With jib-extension (3 m)



## Working range platform operation

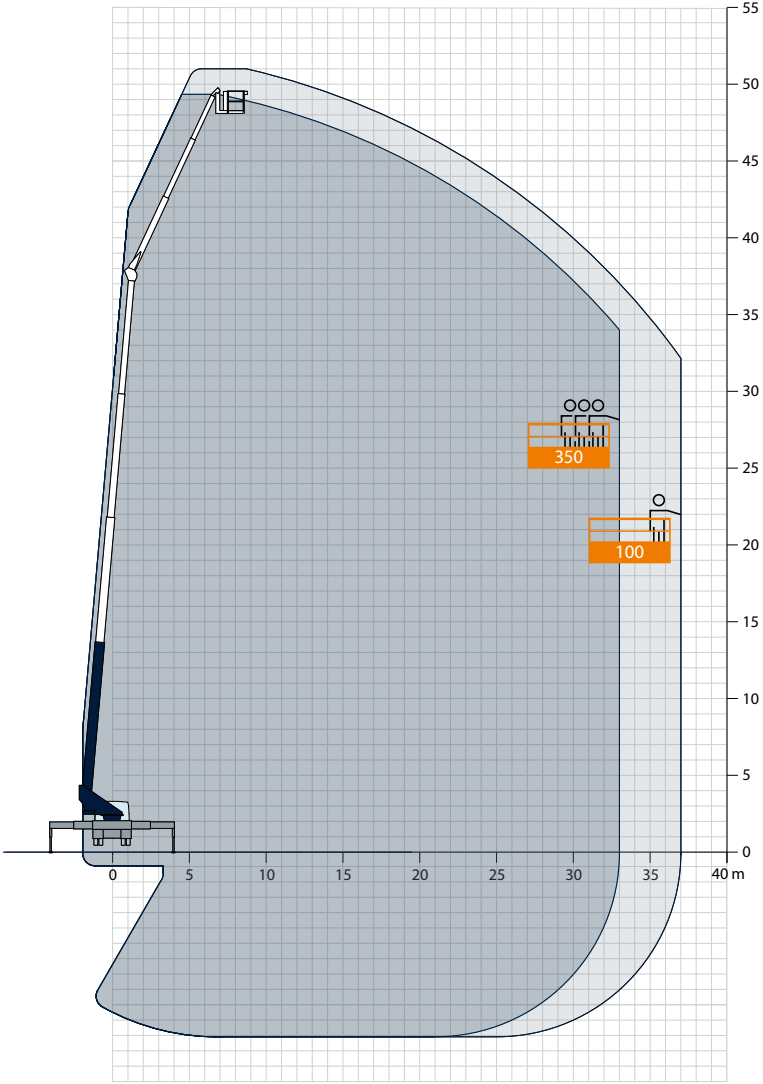
Non-rotating basket PK 250-1



All weights are in kg.  
Measurements can fluctuate slightly.

# Working range platform operation

Rotating basket PK 350-D



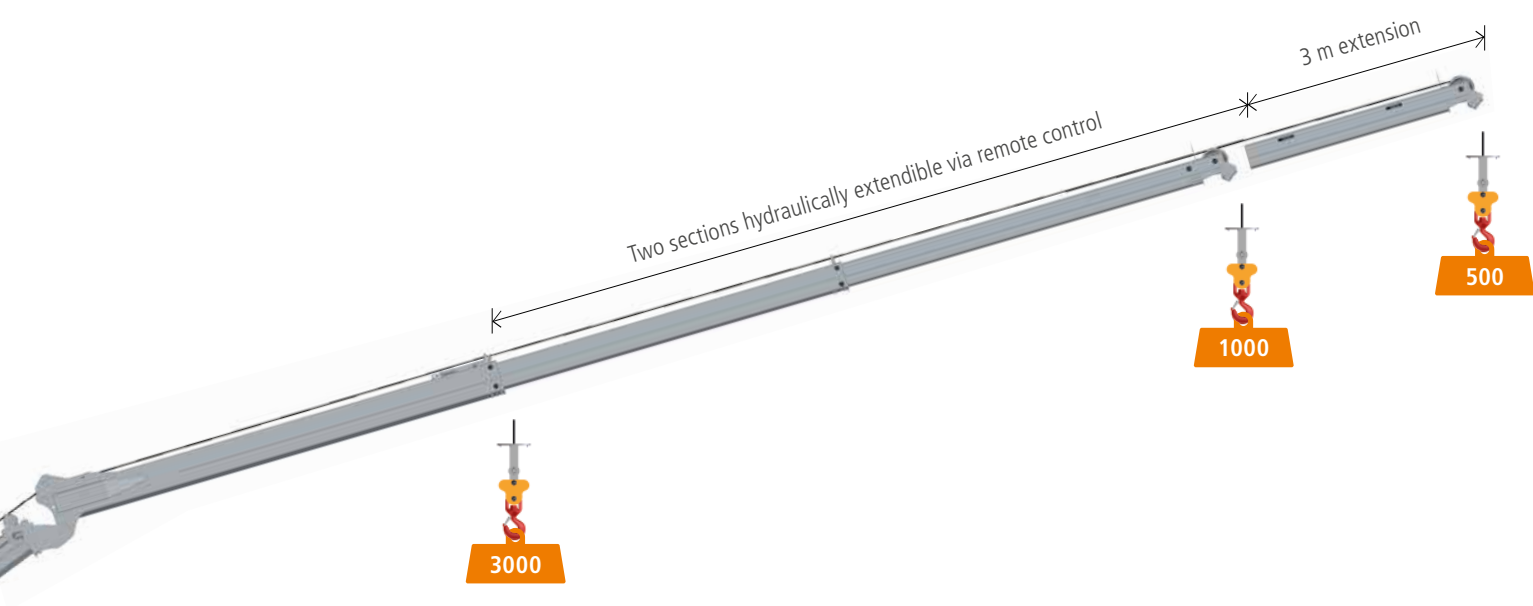
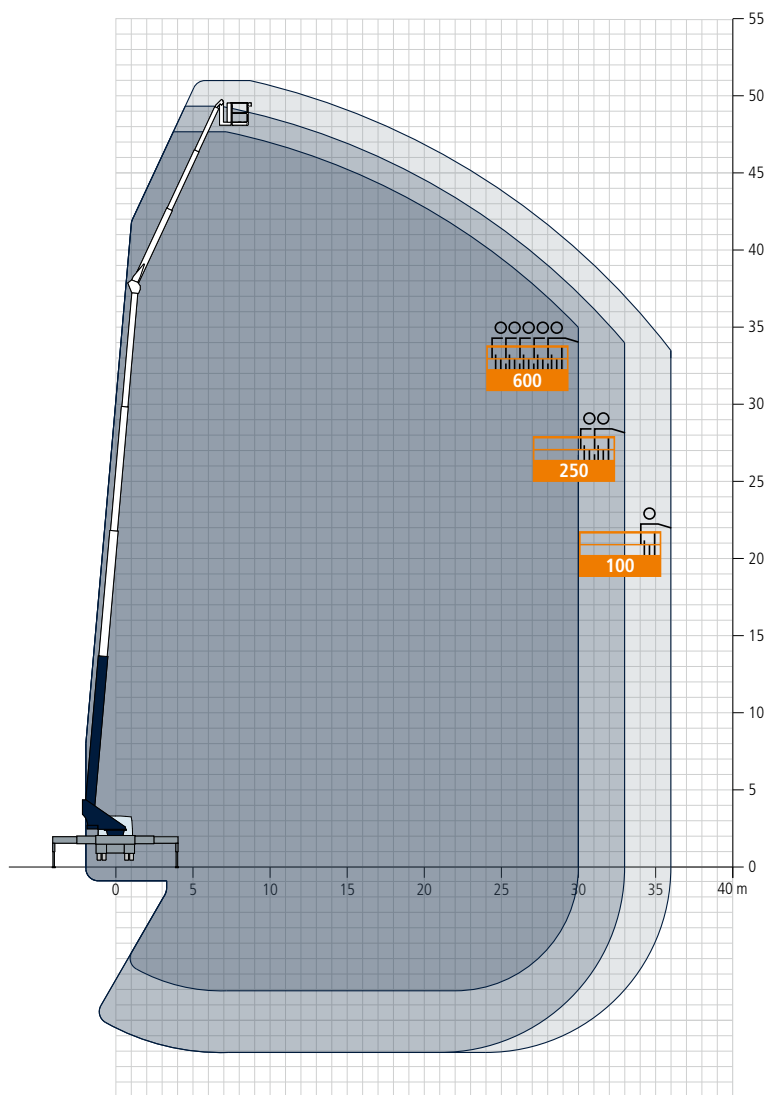
## Jib



All weights are in kg.  
Measurements can fluctuate slightly.

# Working range platform operation

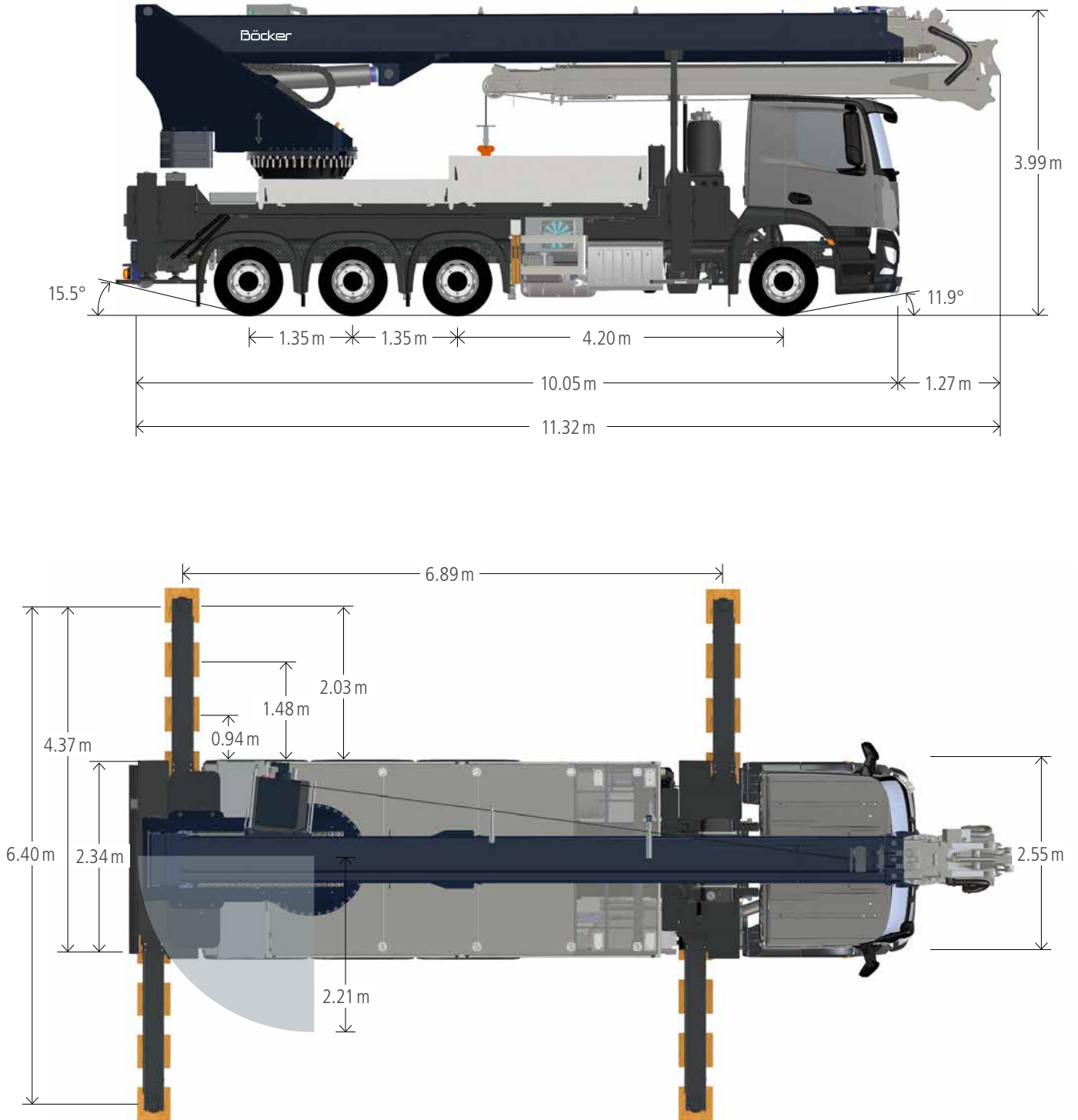
Rotating and extendible work  
basket PK 600-D



All weights are in kg.  
Measurements can fluctuate slightly.

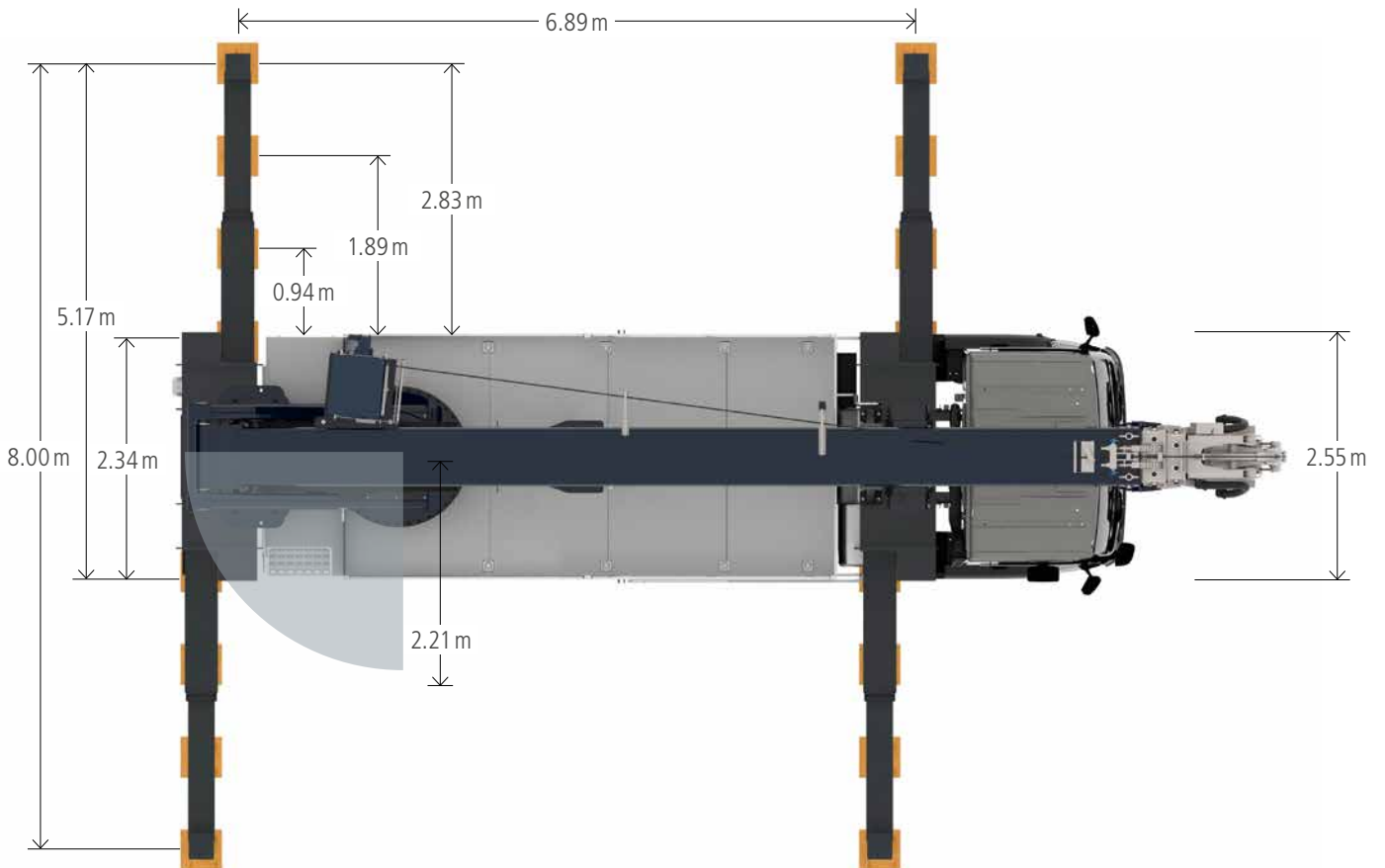
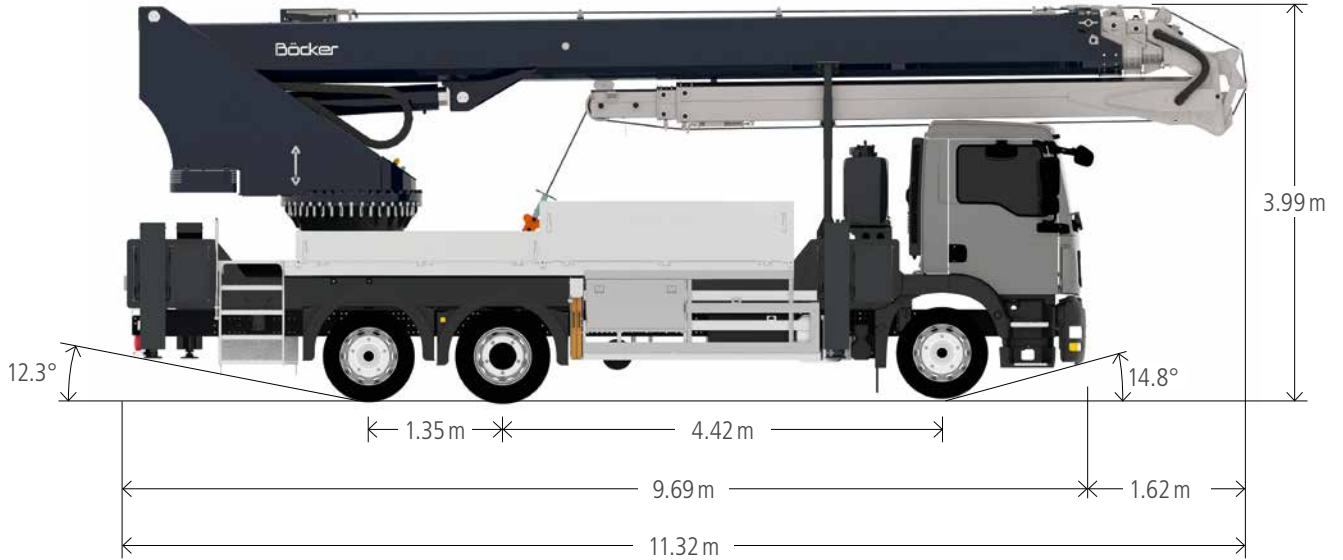
## Dimensions

4-axle chassis



# Dimensions

3-axle chassis



# Boecker

[www.boecker.co.uk](http://www.boecker.co.uk)

## Boecker UK Limited

Unit B Grazebrook Industrial Park  
Hulbert Drive, Dudley  
West Midlands UK-DY2 0XW

Fon +44 1384 476580  
[info@boecker.co.uk](mailto:info@boecker.co.uk)