



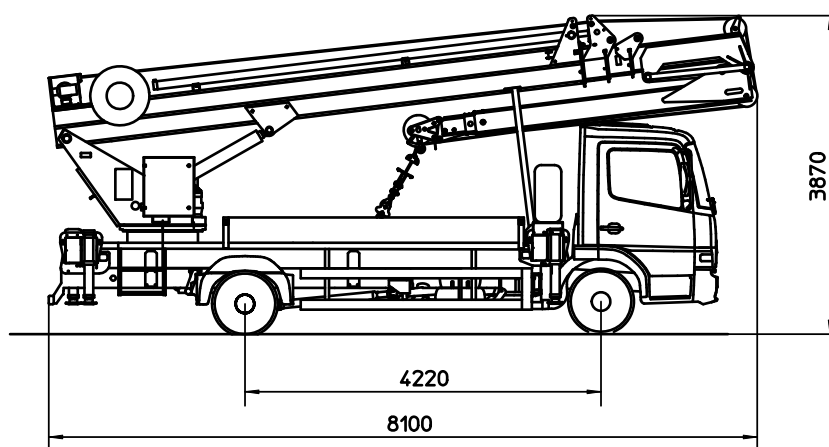
# Böcker

# INFO

1 / 2

## Böcker-Truck Crane AK 32/1500 PLC

as at 07/2010



### Dimensions / Specifications

Angle of telescope arm	approx. 85 Degree	Max. range of crane operation	
Angle of jib	approx. 150 Degree	1500 kg Lifting capacity	approx. 7,50 m
Swivel range	approx. 620 Degree	1200 kg Lifting capacity	approx. 11,50 m
Working height up to jib	approx. 24,40 m	1000 kg Lifting capacity	approx. 12,80 m
Max. extension length	approx. 31,40 m	450 kg Lifting capacity	approx. 22,70 m
Extendible jib:		250 kg Lifting capacity	approx. 26,60 m
Basic length	approx. 3,90 m		
Extendible max.	approx. 8,10 m	Max. range of platform operation	
Capacity hydraulic pump	approx. 85 litre	250 kg Lifting capacity	approx. 21,80 m
Hook speed	approx. 65 m/min	100 kg Lifting capacity	approx. 26,20 m
Support length	approx. 5,40 m	Max. working height	approx. 32,00 m
Support width	approx. 5,55 m		
One- sided support	approx. 3,96 m	Truck Data	
Length vehicle	approx. 8,10 m	Wheelbase min.	4220 mm
Width vehicle	approx. 2,55 m	Gross vehicle weight	7,49 t
Height vehicle	approx. 3,87 m	Max. Dead weight	3,30 t
Body weight	approx. 4190 kg	Min. front axle	3,40 t

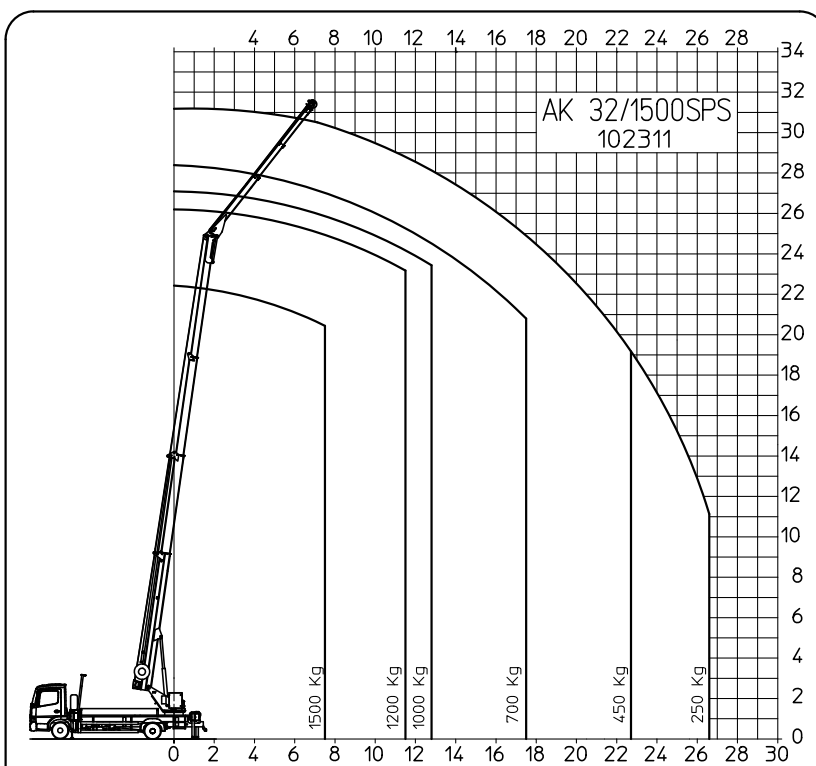
All rights reserved for changes in dimension and construction!



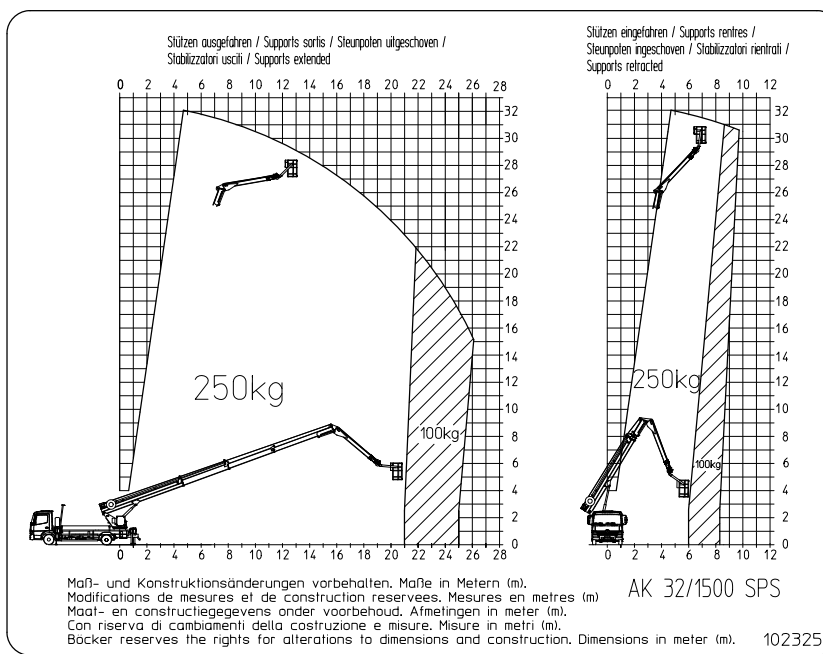
# Böcker

# INFO

## Work diagram



Maß- und Konstruktionsänderungen vorbehalten. Maße in Meter (m).  
 Wijzigingen van de afmetingen en constructiewijzigingen voorbehouden. Afmetingen in meters (m).  
 Modifications de mesures et de construction réservées. Mesures en mètres (m).  
 We reserves the rights for alterations to dimensions and constructions, dimensions in metre (m)



Maß- und Konstruktionsänderungen vorbehalten. Maße in Metern (m).  
 Modifications de mesures et de construction réservées. Mesures en metres (m).  
 Maat- en constructiegegevens onder voorbehoud. Afmetingen in meter (m).  
 Con riserva di cambiamenti della costruzione e misure. Misure in metri (m).  
 Böcker reserves the rights for alterations to dimensions and construction. Dimensions in meter (m).

**All rights reserved for changes in dimension and construction!**